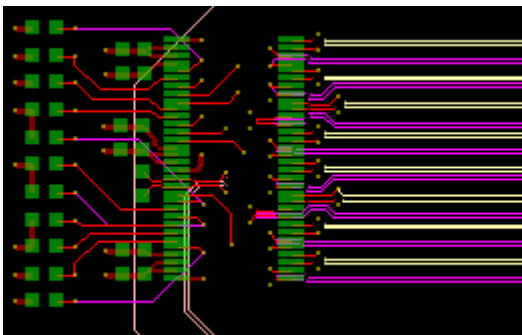
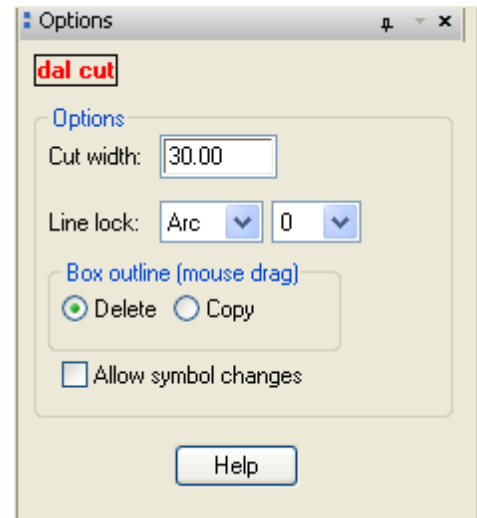


## Cut

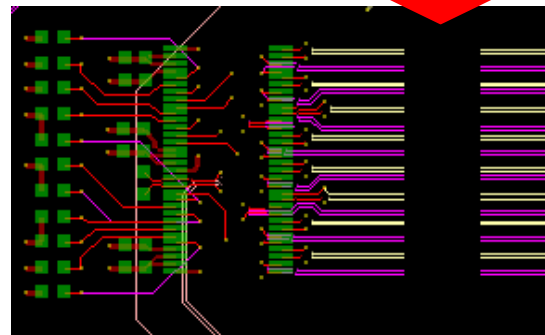
Cut or copy clines, lines, arcs, vias and shapes by path or box.

Features:

- Quickly cut out or copy sections of routing by box.



Before

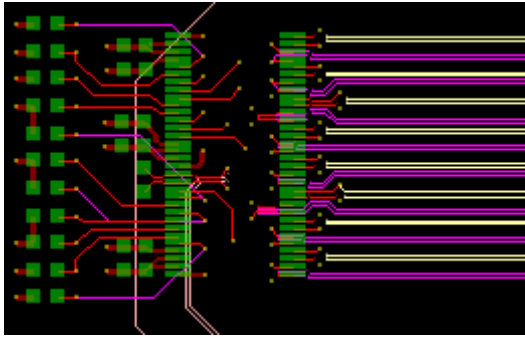


After

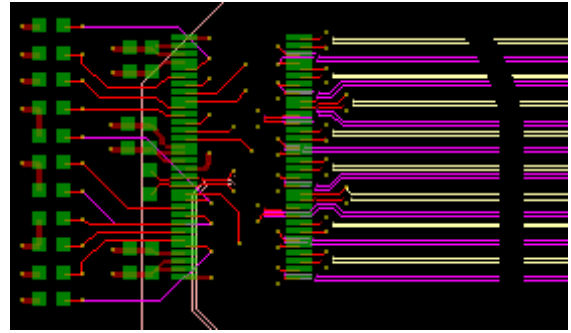
[Box cut delete](#)

# Examples

---

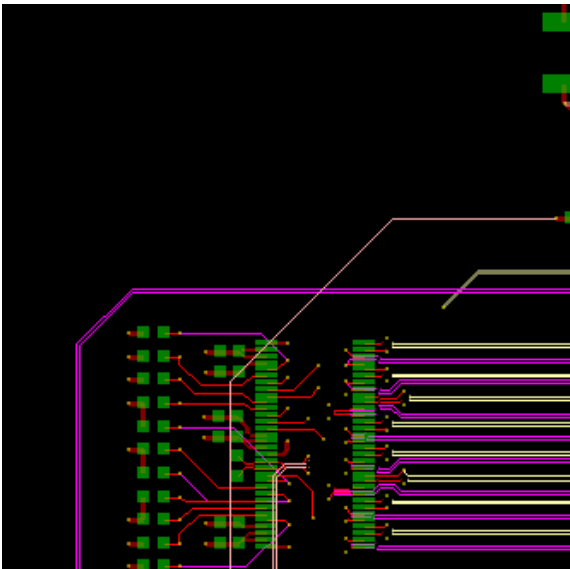


Before

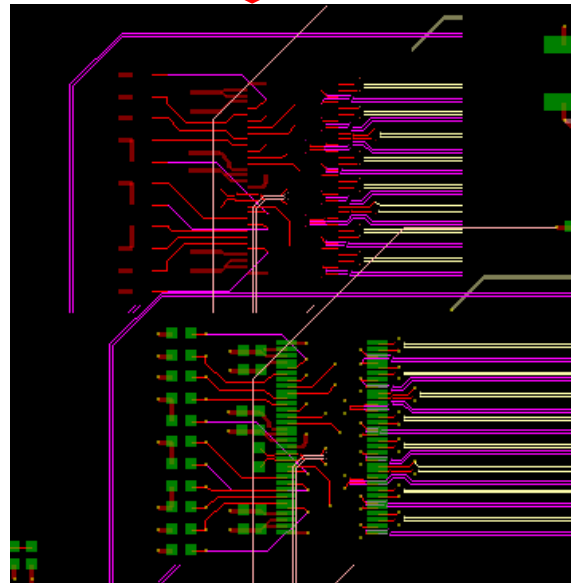


After

Path (arc) cut



Before



After

Box cut copy

# Help

---

